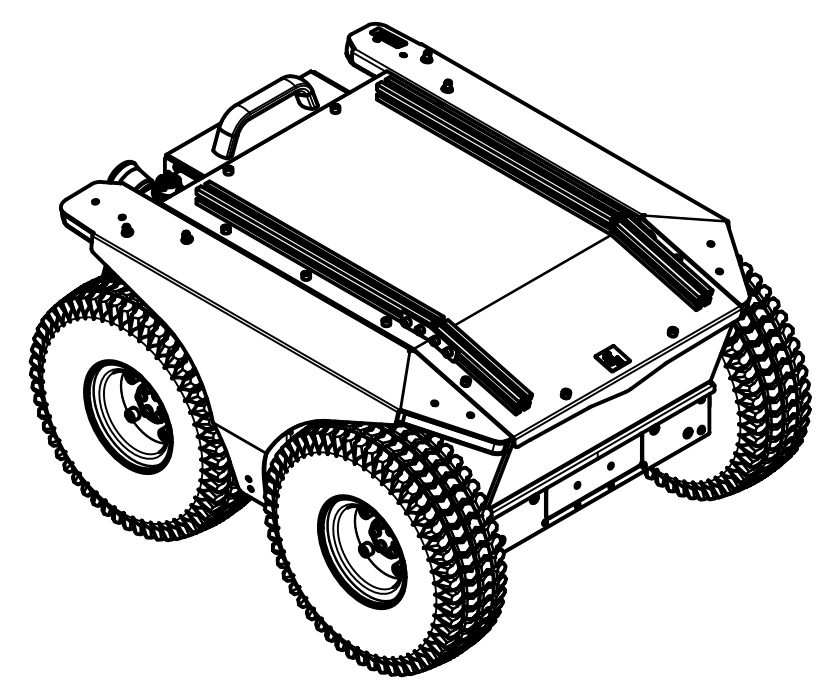
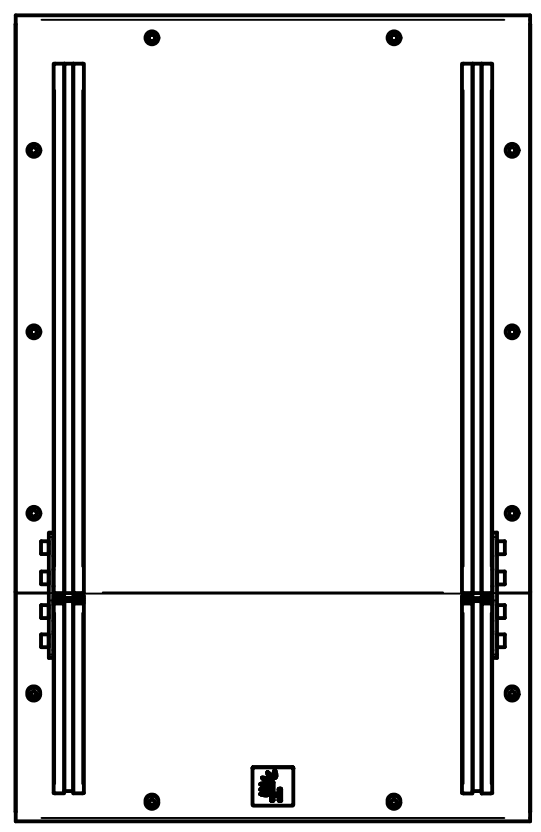
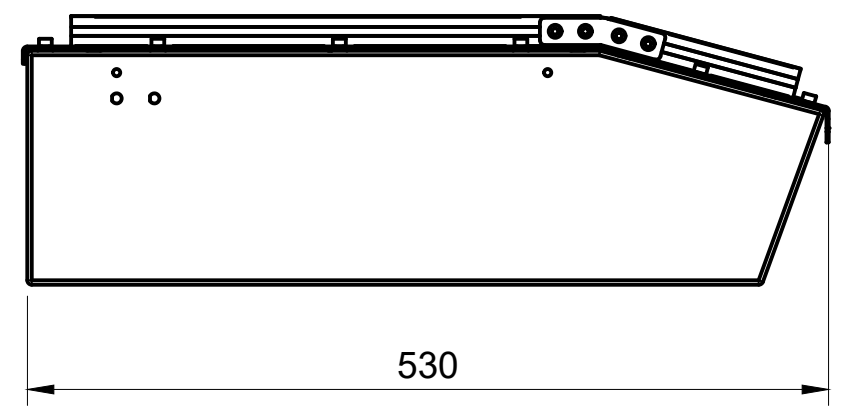
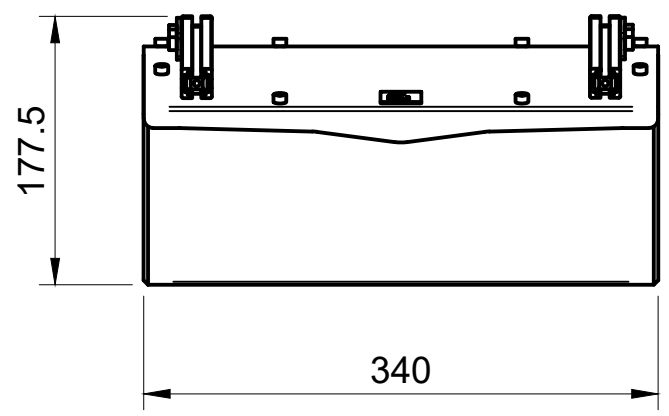
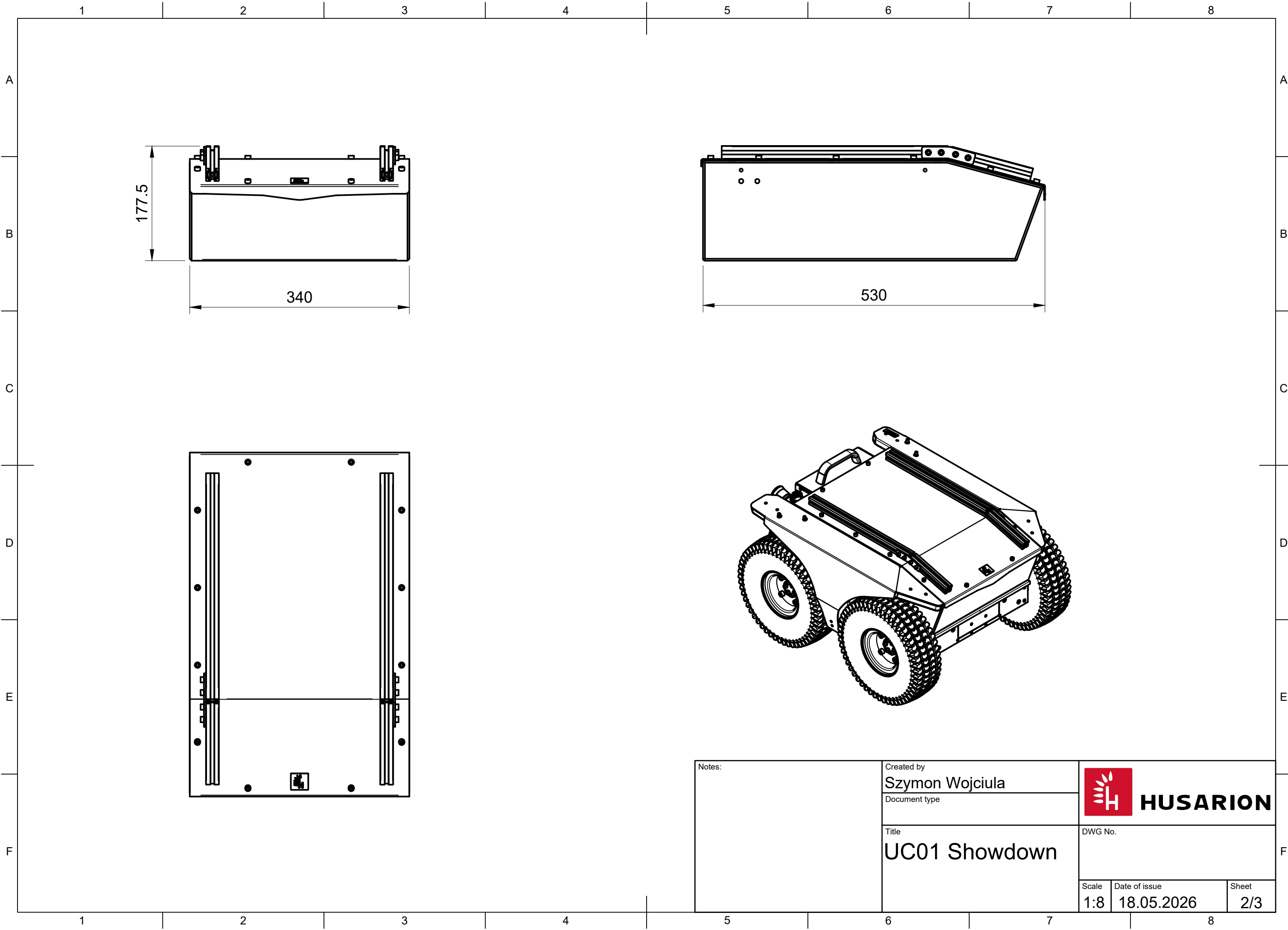


Notes:  
 DIMENSIONS: MM / DEG  
 PRECISION / TOLERANCE:  
 (unless otherwise specified)  
 LENGTHS:  
 X.XX ± 0.05  
 X.X ± 0.1  
 X ± 0.5  
 ANGLES:  
 X ± 1°

Created by  
**Szymon Wojciula**  
 Document type  
 Title  
**UC01 and UC02 Comparison**



DWG No.  
 Scale 1:5    Date of issue 18.05.2026    Sheet 1/3



Notes:	Created by	Szymon Wojciula		
	Document type			
	Title	UC01 Showdown		
	DWG No.			
Scale	Date of issue	Sheet		
1:8	18.05.2026	2/3		



1 2 3 4 5 6 7 8

A

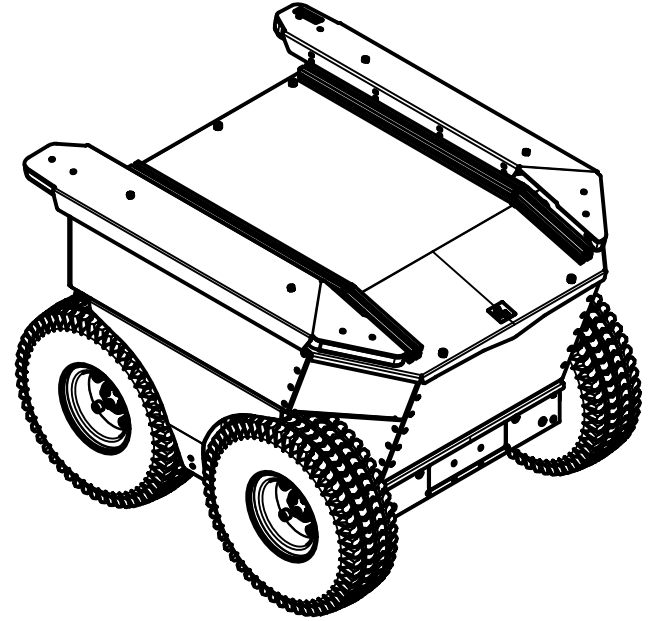
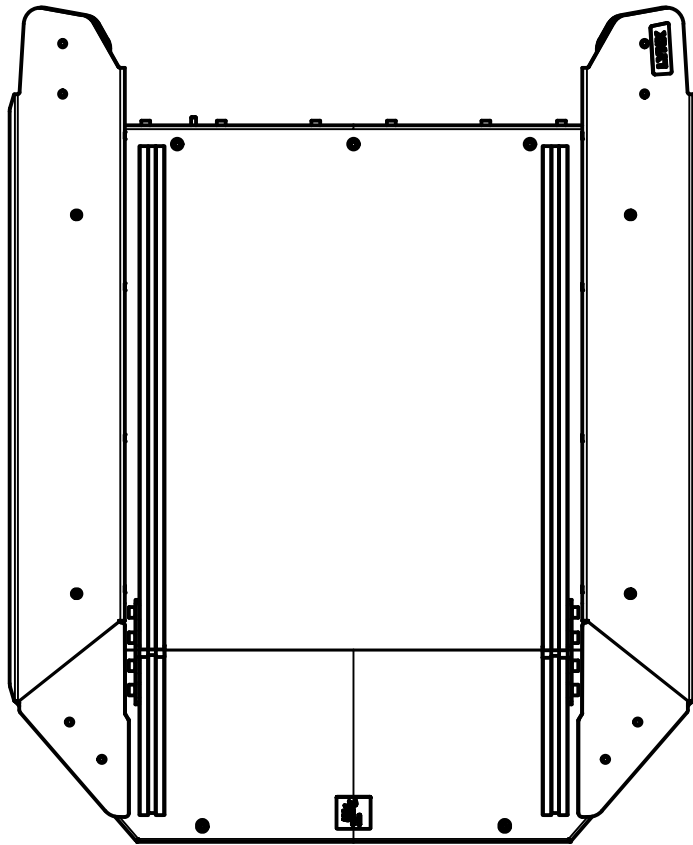
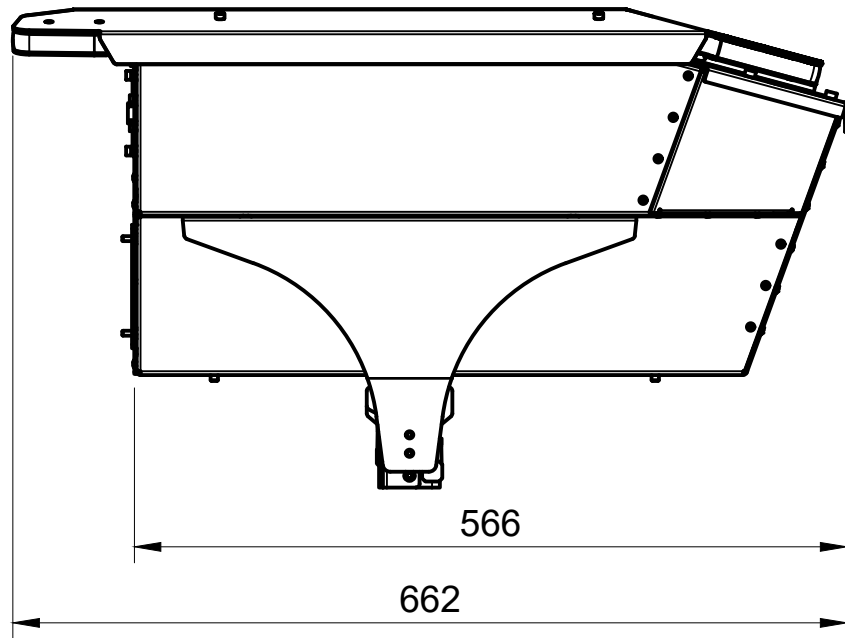
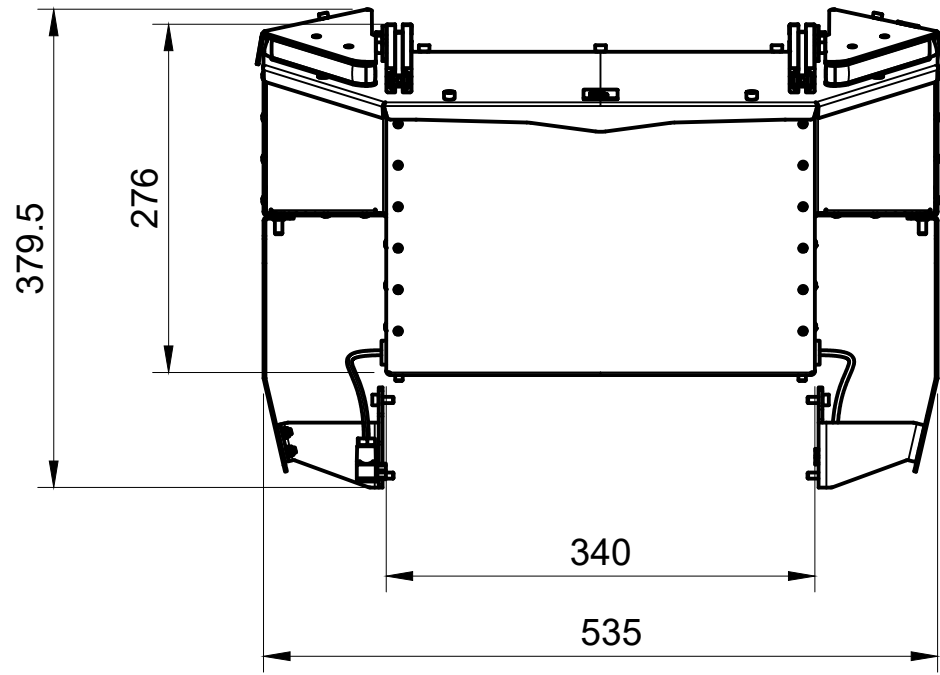
B


C

D

E

F



Notes:	Created by <b>Szymon Wojciula</b>		
	Document type		
	Title <b>UC02 Showdown</b>	DWG No.	
	Scale <b>1:10</b>	Date of issue <b>18.05.2026</b>	Sheet <b>3/3</b>

1 2 3 4 5 6 7 8